

Embedded lithium-ion battery

Adjustable operator position

Excellent visibility

Maximum throughput

High residual capacity

LI-ION
technology



ETV 216i

Electric reach truck (1,600 kg)

The ETV 216i reach truck is the ideal partner for the effective and safe stacking, retrieval and provision of pallets for order picking. Its rapid and boost charge features facilitate flexible usage even in multi-shift operation with lift heights of up to 10,700 mm.

The integrated Li-ion battery, which has been completely redesigned along with the truck, is extremely compact. This provides completely new free space for the user. For example, the unrestricted footwell and the armrest, which is adjustable in two directions, help to ensure fatigue-free work for operators of all sizes.

The compact battery means that visibility in the fork direction is not limited. The load and the support arms are always clearly visible.

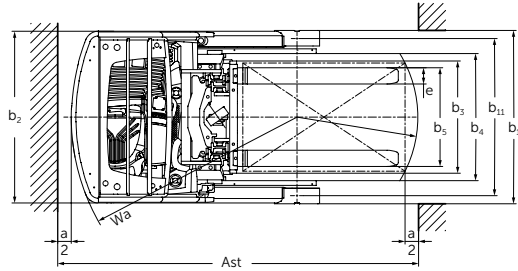
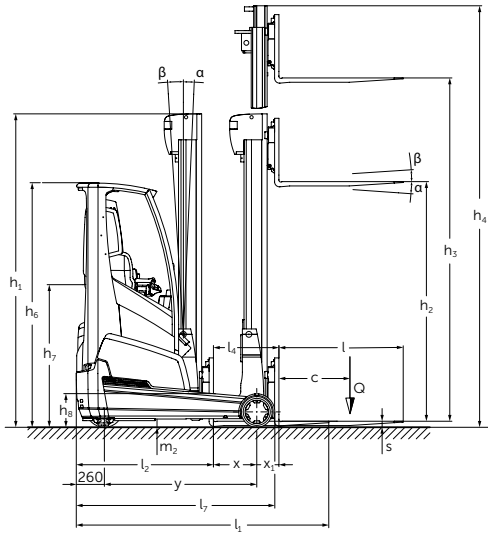
In addition, the high dielectric strength of the battery allows for improved performance of the hydraulic pump, even when the battery level is low. Maintenance-free operation and long service life reduce costs.

Fast lifting and reaching means that significantly more pallets per hour can be processed in comparison with conventional trucks.

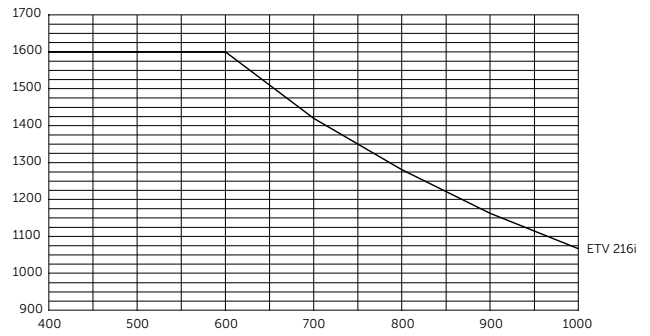
The workstation also has numerous advantages: The operator position not only has optimum all-round visibility, but also easy access to controls and accessory parts. The ETV 216i also has storage options for papers, work materials and drinks bottles.

JUNGHEINRICH

ETV 216i



Capacity (kg)



Load centre distance "c" in mm

Standard mast types ETV 216i

Designation	Lift h_3 (mm)	Lowered height h_1 (mm)	Free lift h_2 (mm)	Extended height h_4 (mm)	Mast tilt forward/back a/β (°)	Fork tilt forward/backward a/β (°)
Triplex DZ	4550	2050	1406	5194	1/3	-
	5000	2200	1556	5644	1/3	2/5
	5300	2300	1656	5944	1/3	2/5
	5600	2400	1756	6244	1/3	2/5
	5900	2500	1856	6544	1/3	2/5
	6200	2600	1956	6844	1/3	2/5
	6500	2700	2056	7144	0.5/2	2/5
	6800	2800	2156	7444	0.5/2	2/5
	7100	2900	2256	7744	0.5/2	2/5
	7400	3000	2356	8044	0.5/1	2/5
	7700	3100	2456	8344	0.5/1	2/5
	8000	3200	2556	8644	0.5/1	2/5
	8300	3300	2656	8944	0.5/1	2/5
	8420	3340	2696	9064	0.5/1	2/5
	8720	3440	2796	9364	0.5/1	2/5
	9020	3540	2896	9664	0.5/1	2/5
	9410	3670	3026	10054	-	2/5
	9920	3840	3196	10564	-	2/5
10250	3950	3306	10894	-	2/5	
10520	4040	3396	11164	-	2/5	
10700	4100	3456	11344	-	2/5	

Technical data in line with VDI 2198

Identification	1.1	Manufacturer (abbreviation)		Jungheinrich	
	1.2	Model		ETV 216i	
	1.3	Drive		Electric	
	1.4	Manual, pedestrian, stand-on, seated, order picker operation		transverse seat	
	1.5	Load capacity/rated load	Q t	1.6	
	1.6	Load centre distance	c mm	600	
	1.8	Load distance	x mm	401	
	1.8.1	Load distance, with mast reached forward	x ₁ mm	215	
	1.9	Wheelbase	y mm	1,410	
Weights	2.1.1	Net weight incl. battery (see row 6.5)	kg	3,438	
	2.3	Axle loading, unladen front/rear	kg	2,292 / 1,146	
	2.4	Axle loading, fork advanced, laden front/rear	kg	902 / 4,132	
	2.5	Axle loading, fork retracted, laden front/rear	kg	2,024 / 3,014	
Wheels / frame	3.1	Tyres		Vulkollan®	
	3.2	Tyre size, front	mm	Ø 343 x 114	
	3.3	Tyre size, rear	mm	Ø 285 x 100	
	3.5	Wheels, number front/rear (x = driven wheels)		1x / 2	
Basic dimensions	3.7	Tread width, rear	b ₁₁ mm	1,168	
	4.1	Tilt of mast/fork carriage forward/backward	α/β °	1/3	
	4.2	Mast height (lowered)	h ₁ mm	2,300	
	4.3	Free lift	h ₂ mm	1,656	
	4.4	Lift	h ₃ mm	5,300	
	4.5	Extended mast height	h ₄ mm	5,944	
	4.7	Height of overhead guard	h ₆ mm	2,263	
	4.8	Seat height/standing height	h ₇ mm	1,079	
	4.10	height of support arms	h ₈ mm	309	
	4.19	Overall length	l ₁ mm	2,419	
	4.20	Length to face of forks	l ₂ mm	1,269	
	4.21	Overall width	b ₁ /b ₂ mm	1,282 / 1,270	
	4.22	Fork dimensions	s/e/l mm	40 / 120 / 1,150	
	4.23	Fork carriage ISO 2328, class/type A, B		2B	
	4.24	Fork carriage width	b ₃ mm	830	
	4.25	Width across forks	b ₅ mm	335 / 730	
	4.26	Width between support arms/loading areas	b ₄ mm	940	
	4.28	Reach distance	l mm	616	
	Performance data	4.32	Ground clearance, centre of wheelbase	m ₂ mm	80
		4.32.1	Ground clearance at lowest point	mm	60
4.33		Aisle width for pallets 1000 x 1200 crossways	Ast mm	2,586	
4.34		Aisle width for pallets 800 x 1200 lengthways	Ast mm	2,759	
4.35		Turning radius	W _a mm	1,665	
4.37		Length across support arms	l ₇ mm	1,837	
5.1		Travel speed, laden/unladen	km/h	14 / 14	
5.2		Lift speed, laden/unladen	m/s	0.59 / 0.81	
5.3		Lowering speed, laden/unladen	m/s	0.56 / 0.56	
5.4		Reaching speed, laden/unladen	m/s	0.24 / 0.24	
Electrics	5.7	Gradeability, laden/unladen	%	8 / 12	
	5.8	Max. gradeability, laden/unladen	%	10 / 15	
	5.9	Acceleration time, laden/unladen	S	4.6 / 4.3	
	5.10	Service brake		electric	
	6.1	Drive motor, output S2 60 min.	kW	8.5	
	6.2	Lift motor, output at S3 15%	kW	15.5	
	6.3	Battery as per DIN 43531/35/36 A, B, C, no		Jungheinrich li-ion	
	6.4	Battery voltage/nominal capacity K5	V/Ah	51.2 / 360	
Misc.	6.6	Energy consumption according to VDI cycle	kWh/h	3.3	
	6.7	Throughput	t/h	76	
	6.8	Energy consumption at max. throughput	kWh/h	4.1	
	8.1	Type of drive control		Jungheinrich - AC	
Misc.	8.2	Working pressure for attachments	bar	150	
	8.3	Oil flow for attachments	l/min	20	
	8.4	Sound pressure level at operator's ear as per EN 12053	dB (A)	70	

Benefit from the advantages



Optimum view of the support arms



Non-slip footstep



Spacious footwell



Comfort charging

Safety

- Removal of the lead-acid battery gives better view of the support arms and load.
- Slim roof struts enable all-round visibility.
- Drive wheel cover.
- 2 handles for safe entry and exit.
- Shoulder protection.
- Panorama glass roof (optional).
- Integrated dayLED (optional).

High-performance mast

Jungheinrich masts help to ensure maximum safety and utilisation of warehouse capacity:

- Fast lifting, lowering and reaching.
- High residual capacities with lower dimensions.
- Existing mast tilt and fork tilt.

Ergonomic workstation

The operator position provides ideal working conditions for maximum performance and reduced strain on the operator:

- Armrest and steering wheel can be adjusted separately with minimum effort.
- Clearly visible wide entry step.

- Holder attachments for additional equipment such as radio data terminals or scanners.
- Wide seat gives the operator more space.
- Practical storage trays.
- Comfort charging.

Assistance systems and options

For more power and full load stability:

- Positioning laser for easier stacking of the load.
- operationCONTROL.
- Fork camera with monitor.

soloPILOT control lever

The control lever for activating all hydraulic functions, also selects the direction of travel and activates the horn.

- All the controls are within the operator's field of vision and are clearly designated for each specific function.
- Maximum handling capacity through the simultaneous use of 2 hydraulic functions (e.g. lifting and reaching).
- Convenient control of additional attachments, e.g. a fork positioner (optional).

- Accurate operations can be achieved through the precise functions.
- Comfortable posture with padded armrest.
- multiPILOT (optional).

Easy-to-read colour display

- Displays direction of travel and wheel position.
- Battery status with residual time display.
- 3 adjustable travel programs for individual adjustment to any requirements.
- Operating hours and time of day.
- Lift height (optional).
- Load weight (optional).

Lithium-ion technology

- High degree of availability thanks to extremely short charging times.
- No battery exchange required.
- Cost savings due to longer service life and low maintenance compared with lead-acid batteries.
- No charging rooms and ventilation required as there is no build up of gas.
- Longer service life with 5-year Jungheinrich guarantee.

Jungheinrich UK Ltd.

Head Office:
 Sherbourne House
 Sherbourne Drive
 Tilbrook
 Milton Keynes MK7 8HX
 Telephone 01908 363100
 Fax 01908 363180

info@jungheinrich.co.uk
 www.jungheinrich.co.uk

The German production facilities in Norderstedt, Moosburg and Landsberg are certified. **ISO 9001**
ISO 14001

Jungheinrich fork lift trucks meet European safety requirements.



JUNGHEINRICH